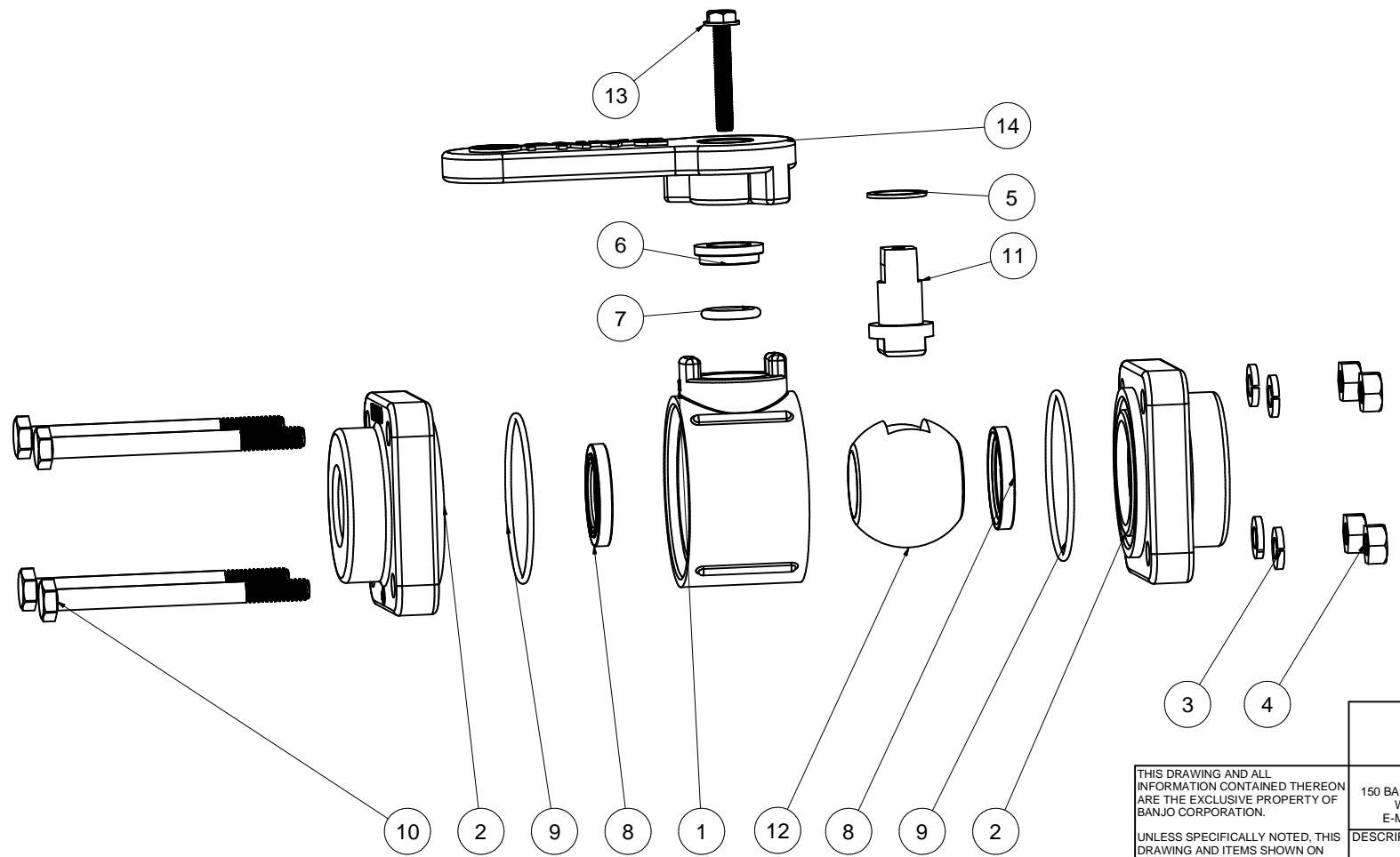
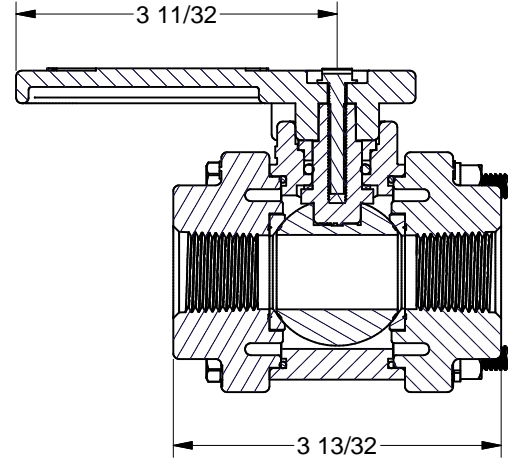
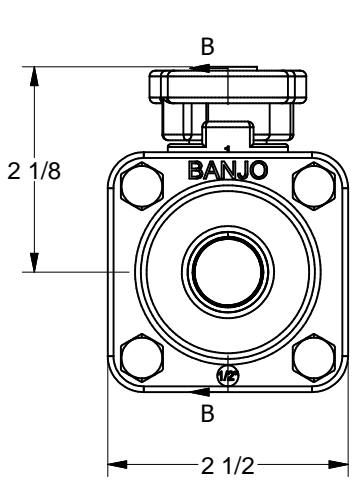


Parts List			
ITEM	QTY	PART NUMBER	DESCRIPTION
1	1	V07254	VALVE BODY
2	2	V05256	1/2" NPT ENDPLATE
3	4	V07018	1/4" LOCKWASHER
4	4	V07019	1/4-20 HEX NUT
5	1	V07060	THRUST BEARING
6	1	V07159	TEFLON BUSHING
7	1	V07163	2-112 O-RING FKM
8	2	V07258A	3" FP Ball Seat
9	2	V07264	#032 O-RING, FKM
10	4	V07017	1/4-20 X 3" HHCS
11	1	V07151A	STEM
12	1	V07155	VALVE BALL
13	1	V10020A	10-32 X 1 1/4" SMS
14	1	V10153A	HANDLE



THIS DRAWING AND ALL INFORMATION CONTAINED THEREON ARE THE EXCLUSIVE PROPERTY OF BANJO CORPORATION. UNLESS SPECIFICALLY NOTED, THIS DRAWING AND ITEMS SHOWN ON THIS DRAWING ARE SUBJECT TO CHANGE AT ANY TIME.

BANJO CORPORATION

BANJO CORPORATION
 150 BANJO DRIVE, CRAWFORDSVILLE, IN 47933
 WEB SITE: WWW.BANJOCORP.COM
 E-MAIL: BANJOSALES@IDEXCORP.COM

DESCRIPTION
 1/2" NPT VALVE ASSEMBLY

PART NUMBER
 V050