



# 141/143 SERIES

## General Purpose Butterfly Valves

<b>Job Name:</b>	<b>Contractor:</b>
<b>Job Location:</b>	<b>P.O. Number:</b>
<b>Engineer:</b>	<b>Representative:</b>
<b>Tag:</b>	<b>Wholesale Distributor:</b>

### DESCRIPTION

The Apollo® 141/143 Series Valves are ideal for use in Industrial and HVAC/Mechanical applications. The 141 Series is a wafer style valve and the 143 Series is a companion lug style.

### FEATURES

- Compatible with ANSI 125# & 150# Flanges
- ISO 5211 Top Plate Allows Choice of Apollo® Pneumatic Actuators and manual operators
- Square drive for direct mounting actuators (2"-12")
- Conforms to MSS SP-67
- 143 Series Suitable for End of Line Service to Rated Pressure
- 3" -24" meet performance requirements of AWWA C-504

### STANDARD MATERIALS

Body	Ductile Iron ASTM A536
Bushings	PTFE
Stem Seal	Buna-N
Shaft	416 SS ASTM A194 Type 416
Taper Pins	316 SS ASTM A276 Type 316

### PRESSURE RATINGS

- 2" to 12": 200 psi
- 14" to 30": 150 psi



### MATERIAL OPTIONS

#### Body

- Ductile Iron ASTM A536, (65-45-12)

#### Disc Material

- Aluminum Bronze
- Ductile Iron A536 Nickel Plated
- Stainless Steel, CF8M

#### Seat Material

- EPDM: -30°F to +275°F
- BUNA-N: +10°F to +180°F

#### Operator

- None
- 10 Position Handle
- Gear Operator
- Infinite Position Handle
- Locking Handle
- Gear Operator w/ Chain Wheel
- Locking Gear Operator
- Locking Gear Operator w/ Chain Wheel

*TORQUE RATING (INCH-LBS)						FLOW
Valve Size		Full Rated Pressures (psi)				Cv Full Open
IN.	MM	ΔP 50	ΔP 100	ΔP 150	ΔP 200	
2	50	100	106	111	117	115
2.5	65	150	163	176	189	196
3	80	207	220	232	244	302
4	100	290	323	357	390	600
5	125	423	481	540	598	1022
6	150	599	691	783	875	1579
8	200	1060	1183	1307	1430	3136
10	250	1671	1872	2074	2275	5340
12	300	2568	2795	3023	3250	8250
14	350	2640	3070	3500	N/A	11917
16	400	4260	4880	5500	N/A	16388
18	450	6287	7243	8200	N/A	21705
20	500	8360	9180	10000	N/A	27908
24	600	15427	16813	18200	N/A	43116
30	750	27313	29407	31500	N/A	73426

\* Lubricating media service

VALVE		WEIGHT (LBS)	
IN.	MM	141 SERIES	143 SERIES
2	50	6	9
2.5	65	8	10
3	80	9	11
4	100	11	18
5	125	15	22
6	150	18	26
8	200	32	43
10	250	47	66
12	300	70	102
14	350	90	148
16	400	142	206
18	450	176	277
20	500	251	410
24	600	405	592
30	750	740	1050

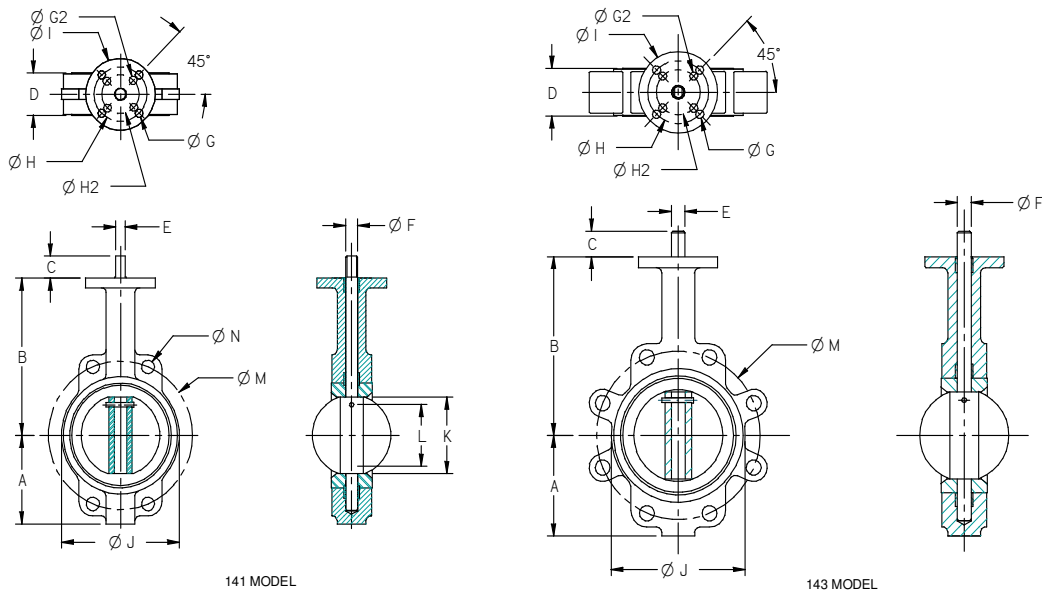
Conbraco Industries, Inc. 701 Matthews Mint Hill Rd. Matthews NC 28106 USA; [www.apollovalves.com](http://www.apollovalves.com) ; 704-841-6000

This specification is provided for reference only. Conbraco reserves the right to change any portion of this specification without notice and without incurring obligation to make such changes to Conbraco products previously or subsequently sold.

# 141/143 SERIES

General Purpose  
Butterfly Valves

## DIMENSIONS



## DOUBLE-D AND KEYED STEM

(in.)	(mm)	A	B	C	D	E	ØF	G	G2	Key	H	H2	I	J	K	L	N (141)	M	# Holes	Tap UNC
2	50	3.25	6.375	1.25	1.75	0.394	0.496	0.375	--	--	2.756	--	3.54	4.00	2.09	1.113	0.688	4.75	4	.625-11
2.5	65	3.75	6.880	1.25	1.88	0.394	0.496	0.375	--	--	2.756	--	3.54	4.75	2.54	1.706	0.688	5.50	4	.625-11
3	80	4.00	7.130	1.25	1.88	0.394	0.496	0.375	--	--	2.756	--	3.54	5.13	3.09	2.450	0.688	6.00	4	.625-11
4	100	4.88	7.880	1.25	2.13	0.472	0.621	0.375	--	--	2.756	--	3.54	6.75	4.09	3.488	0.688	7.50	8	.625-11
5	125	5.38	8.380	1.25	2.25	0.551	0.745	0.375	--	--	2.756	--	3.54	7.75	4.85	4.296	0.813	8.50	8	.750-10
6	150	5.88	8.880	1.25	2.25	0.551	0.745	0.375	--	--	2.756	--	3.54	8.63	6.13	5.697	0.813	9.50	8	.750-10
8	200	7.13	10.250	1.75	2.50	0.669	0.870	0.563	0.438	--	4.921	4.015	5.91	10.56	7.89	7.468	0.813	11.75	8	.750-10
10	250	8.25	11.500	1.88	2.75	0.866	1.120	0.563	0.438	--	4.921	4.015	5.91	13.06	9.89	9.484	0.938	14.25	12	.875-9
12	300	9.75	13.250	1.88	3.13	0.866	1.244	0.563	--	--	4.921	--	5.91	16.00	11.89	11.456	0.938	17.00	12	.875-9
14	350	11.00	14.500	1.88	3.13	0.945	1.244	0.563	--	--	4.921	--	5.91	17.13	13.38	13.000	1.060	18.75	12	1.00-8
16	400	12.00	15.750	2.00	3.50	--	1.313	0.563	--	.313 sq	4.921	--	5.91	20.00	15.38	14.970	1.060	21.25	16	1.00-8
18	450	14.38	16.630	2.00	4.25	--	1.500	0.813	--	.375 sq	6.496	--	8.27	21.38	17.38	16.847	1.250	22.75	16	1.125-7
20	500	14.63	18.880	2.50	5.25	--	1.625	0.813	--	.375 sq	6.496	--	8.27	23.31	19.38	18.650	1.250	25.00	20	1.125-7
24	600	18.00	22.130	2.75	6.13	--	2.000	0.813	--	.500 sq	6.496	--	8.27	27.88	23.38	22.558	1.380	29.50	20	1.25-7
30	750	25.00	25.500	4.00	6.88	--	2.500	0.813	--	.500 sq	10.000	--	11.81	34.38	29.38	28.590	1.380	36.00	24	1.25-7

## SQUARE STEM (Recommended for Direct Mount Automation)

(in.)	(mm)	A	B	C	D	E	F	G	G2	Key	H	H2	I	J	K	L	N (141)	M	# Holes	Tap UNC
2	50	3.25	6.375	0.60	1.75	0.433	0.433	0.375	--	--	2.756	--	3.54	4.00	2.09	1.113	0.688	4.75	4	.625-11
2.5	65	3.75	6.880	0.60	1.88	0.433	0.433	0.375	--	--	2.756	--	3.54	4.75	2.54	1.706	0.688	5.50	4	.625-11
3	80	4.00	7.130	0.60	1.88	0.433	0.433	0.375	--	--	2.756	--	3.54	5.13	3.09	2.450	0.688	6.00	4	.625-11
4	100	4.88	7.880	0.70	2.13	0.433	0.433	0.375	--	--	2.756	--	3.54	6.75	4.09	3.488	0.688	7.50	8	.625-11
5	125	5.38	8.380	0.70	2.25	0.551	0.551	0.375	--	--	2.756	--	3.54	7.75	4.85	4.296	0.813	8.50	8	.750-10
6	150	5.88	8.880	0.70	2.25	0.551	0.551	0.375	--	--	2.756	--	3.54	8.63	6.13	5.697	0.813	9.50	8	.750-10
8	200	7.13	10.250	0.70	2.50	0.669	0.669	0.563	0.438	--	4.921	4.015	5.91	10.56	7.89	7.468	0.813	11.75	8	.750-10
10	250	8.25	11.500	0.81	2.75	0.866	0.866	0.563	0.438	--	4.921	4.015	5.91	13.06	9.89	9.484	0.938	14.25	12	.875-9
12	300	9.75	13.250	0.95	3.13	0.866	0.866	0.563	0.438	--	4.921	--	5.91	16.00	11.89	11.456	0.938	17.00	12	.875-9

Conbraco Industries, Inc. 701 Matthews Mint Hill Rd. Matthews NC 28106 USA; [www.Apollovalves.com](http://www.Apollovalves.com) ; 704-841-6000

This specification is provided for reference only. Conbraco reserves the right to change any portion of this specification without notice and without incurring obligation to make such changes to Conbraco products previously or subsequently sold.