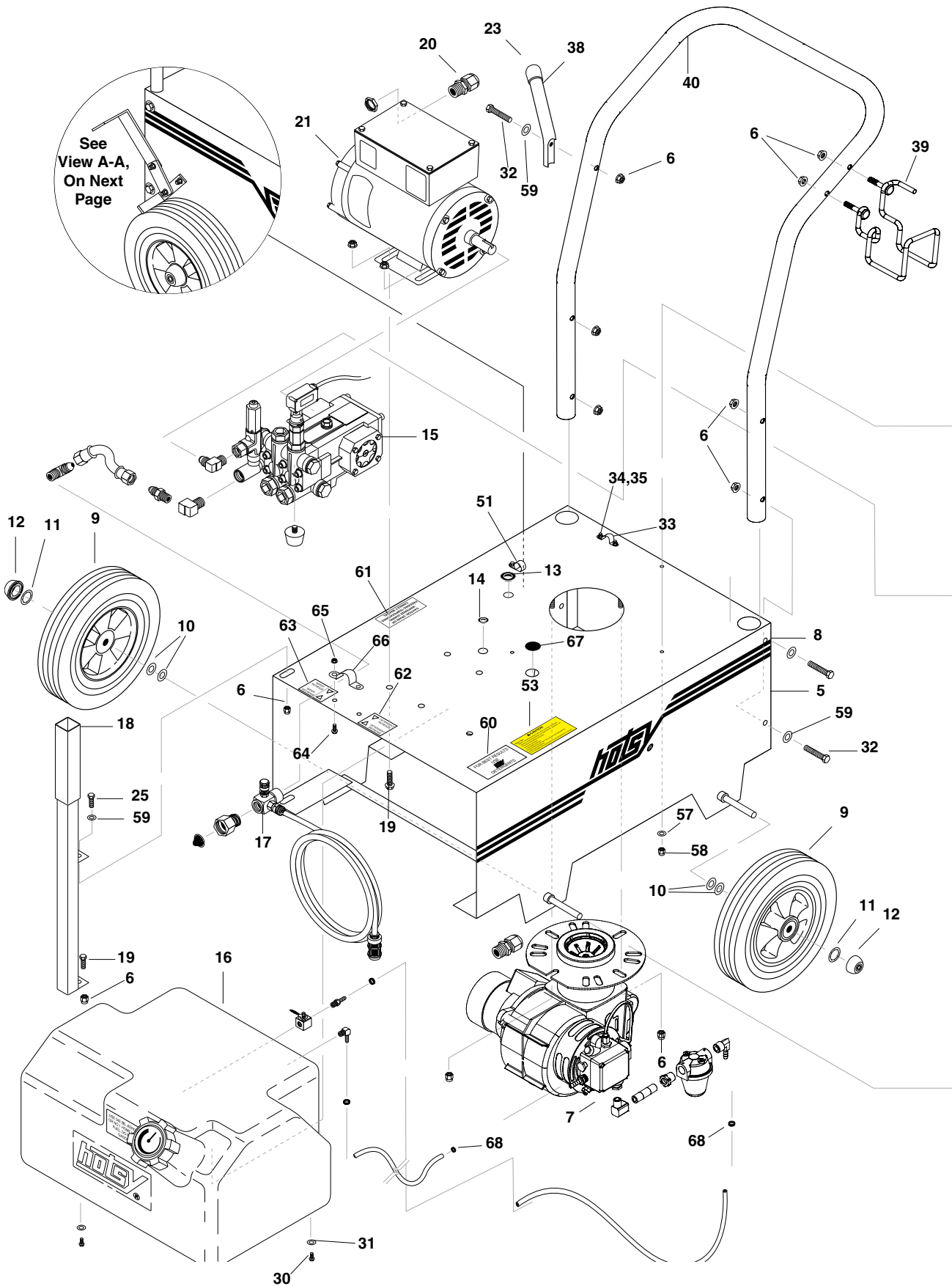
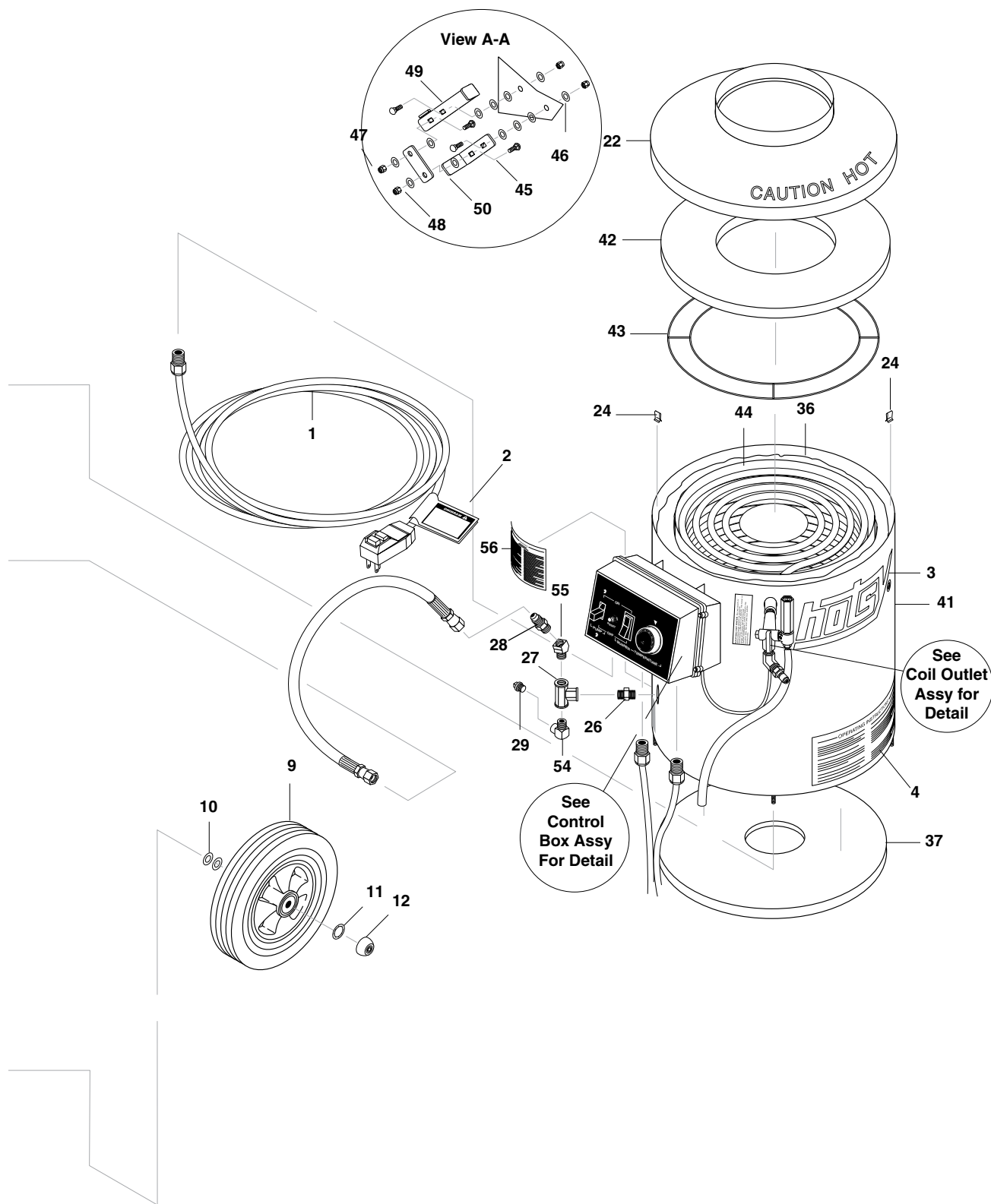


EXPLODED VIEW



EXPLODED VIEW



EXPLODED VIEW PARTS LIST

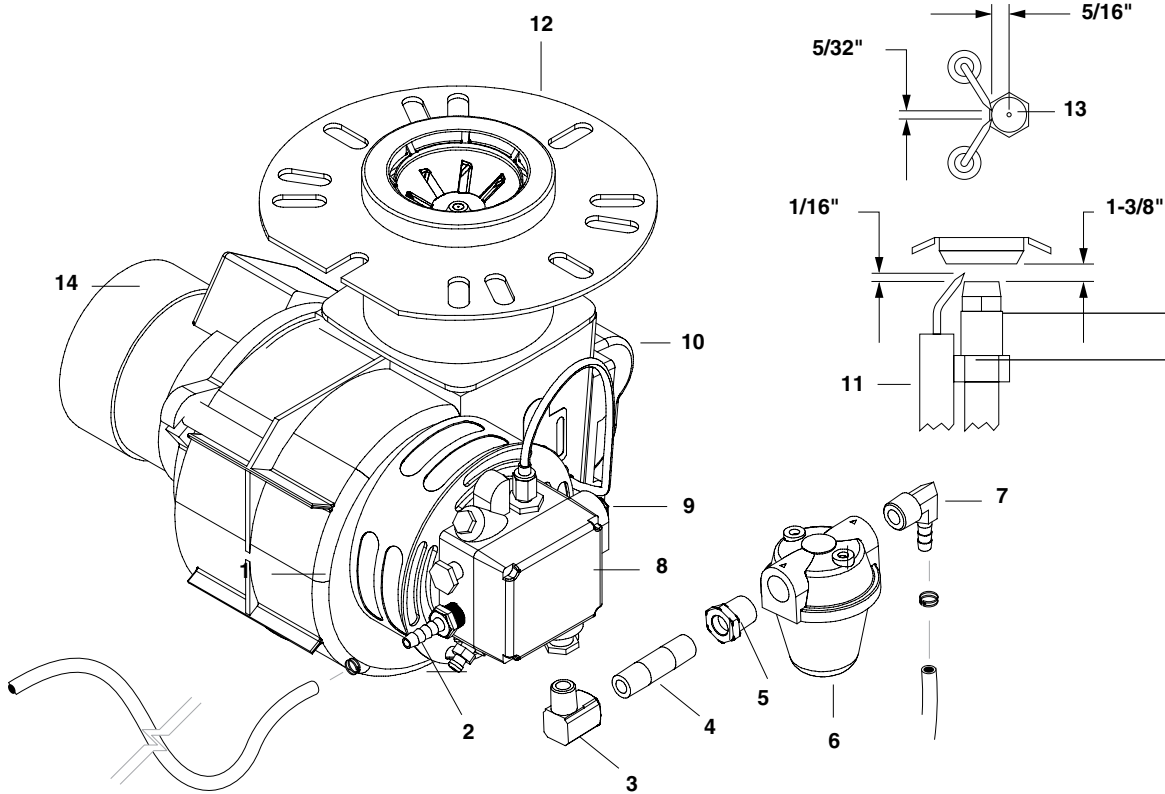
ITEM	PART NO.		DESCRIPTION	QTY
1	981000	9.802-431.0	Power Cord w/GFCI	1
2		8.932-969.0	Decal, Cord GFCI	1
3	646328	8.704-654.0	Decal, Hotsy Logo	2
4		8.900-896.0	Decal, Operating Instructions	1
5	375594	8.911-832.0	Chassis	1
6		9.802-786.0	Nut, 5/16"-18 Flange	7
7	Burner Assembly, Please See Burner Assembly Page			
8	834086	8.901-106.0	Decal, Chassis	2
9	983020	9.802-274.0	Wheel	4
10		9.802-810.0	Washer, 5/8" Flat	8
11	848616	8.718-870.0	Nut, 5/8" Push	4
12		9.198-506.0	Hubcap	4
13	815329	9.802-104.0	Bushing, Snap 1.00"	1
14	815328	8.706-731.0	Bushing, Snap 3/4"	1
15	Pump Assembly, Please See Pump Assembly Page			
16	Fuel Tank Assembly, Please See Fuel Tank Assembly Page			
17	Water Inlet Assembly, Please See Water Inlet Assembly Page			
18	375507	8.911-807.0	Mount, Hose Reel	1
19	615951	8.718-625.0	Bolt, 5/16" x 3/4"	8
20		9.802-515.0	Strain Relief, Straight, LQ Tite	1
21	7840304	8.715-157.0	Motor	1
22	213044	8.719-913.0	Vent, Exhaust, Burner	1
23	630610	8.706-698.0	Cap, Vinyl	1
24	824115	9.802-825.0	Clip, Vent	4
25	612949	8.718-618.0	Bolt, 5/16" x 3/4"	1
26	801102	8.705-974.0	Nipple, 3/8" x 1-1/2"	1
27	754711	8.706-214.0	Tee, 3/8"	1
28	661357	9.802-036.0	Nipple 1/2 JIC, 3/8 Pipe C5205X8	1
29	715744	8.706-241.0	Drain Plug	1
30	612945	8.718-582.0	▲ Bolt, 1/4"-20 x 1/2"	2
31	780451	9.802-802.0	▲ Washer, 1/4"	2
32	612975	9.802-716.0	Bolt, 5/16"-18 x 2"	5
33	630609	8.709-096.0	Clamp	2
34	935175	8.718-588.0	Screw, 10-24 x 1/2"	2
35	703105	8.718-857.0	Nut, 10-24 Hex, Flange	2
36	873778	9.802-908.0	Insulation, Coil	1
37		9.802-903.0	Insulation, Pancake	1
38		8.719-933.0	Hanger, GFCI Cord	1
39		9.803.098.0	Hanger Hose	1
40	210001	8.769.000.0	Handle	1
41	375450	8.911-803.0	Tank, Coil	1
42	873778	9.802-904.0	Insulation Top head 18" x 8"	1
43	860102	9.803-108.0	Ring, Retaining	1
44	226222	8.911-793.0	Coil, 16" Hotsy	1

EXPLODED VIEW PARTS LIST

ITEM	PART NO.	DESCRIPTION	QTY
45	9.802-705.0	Bolt, Carriage, 1/4"-20 x 1.0 PLT	4
46	703185	9.802-773.0 Nut, 1/4" ESNA	4
47	780451	9.802-802.0 Washer, 1/4"	12
48	8.912-020.0	Linkage, Brake	1
49	8.912-017.0	Lever, Brake	1
50	8.912-019.0	Bracket, Brake Pad	1
51	9.802-205.0	Clamp. Snap in wire	1
53	9.800-049.0	Label, Cleaning Solution	1
54	8.706-207.0	Elbow, 3/8 Street	1
55	9.802-041.0	Elbow, 3/8, 45°	1
56	8.704-656.0	Label, Warning, Elec HWW	1
57	9.198-014.0	Washer 5/16" x 1 1/4"	3
58	9.802-776.0	Nut 5/16 Nylock	3
59	8.718-980.0	Washer 5/16 Flat	4
60	8.901-136.0	Label use hotsy detergent	1
61	8.901-135.0	Label, caution winterize	1
62	8.901-125.0	Label, Detergent Metering	1
63	8.901-124.0	Label Water metering	1
64	8.718-607.0	Bolt Cariage, 1/4 x 3/4	2
65	9.802-775.0	Nut 1/4	2
66	8.709-100.0	Clamp Retaining	2
67	8.706-744.0	Plug Plastic 1"	1
68	6.390-126.0	Clamp Hose	2

▲ Not Shown

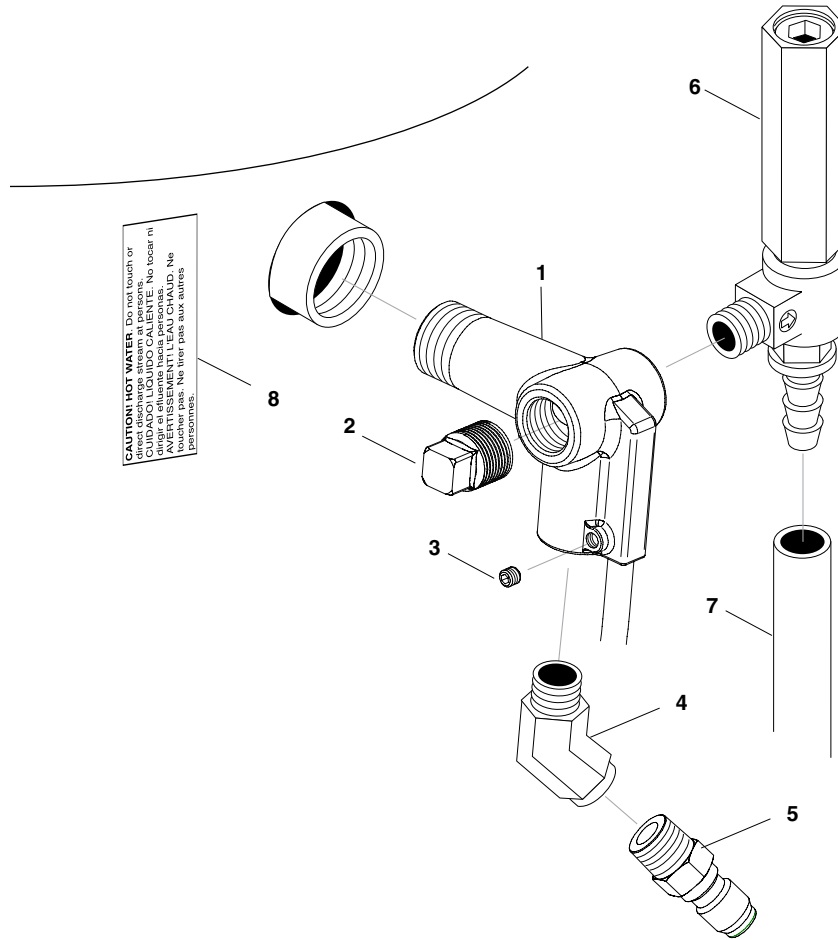
BURNER ASSEMBLY EXPLODED VIEW



BURNER ASSEMBLY EXPLODED VIEW PARTS LIST

ITEM	PART NO.	DESCRIPTION	QTY
1	615963	8.717-089.0 Burner	1
2	698020	8.706-941.0 Nipple, 1/4" NPT x 1/4" H	1
3	644750	8.706-827.0 Elbow, 1/4" Street	1
4	698200	9.803-043.0 Nipple, 1/4" x 2-1/2"	1
5	615279	8.706-297.0 Bushing, 3/8" - 1/4"	1
6	851080	8.709-153.0 Fuel Filter Assembly	1
7	799502	8.706-965.0 Hose barb, 1/4" Barb x 3/8" 90 Deg.	1
8	830493	9.802-645.0 Fuel Pump w/115V Solenoid	1
9	944844	9.802-640.0 Fuel Solenoid	1
10	960221	9.802-647.0 Ignitor, 115V	1
11		9.802-670.0 Electrode Kit	1
12	825615	9.802-655.0 Air Cone, F-6	1
13	727416	9.802-582.0 Nozzle, 1.25 B 90°	1
14	890469	9.802-642.0 Motor	1
15	823988	9.802-210.0 Clamp, Hose, UNI .46 - .54	2
NS	875490	8.717-711.0 Filter Screen Replacement	1
NS	848605	9.802-649.0 Blower Fan	1
NS	825831	9.802-648.0 Coupling	1
NS	944840	9.802-646.0 Fuel Pump Stem	1
NS	944841	9.802-666.0 Screen Fuel Pump	1
NS	826167	9.802-514.0 Strain Relief	1
NS	703127	9.802-525.0 Strain Relief Nut	1

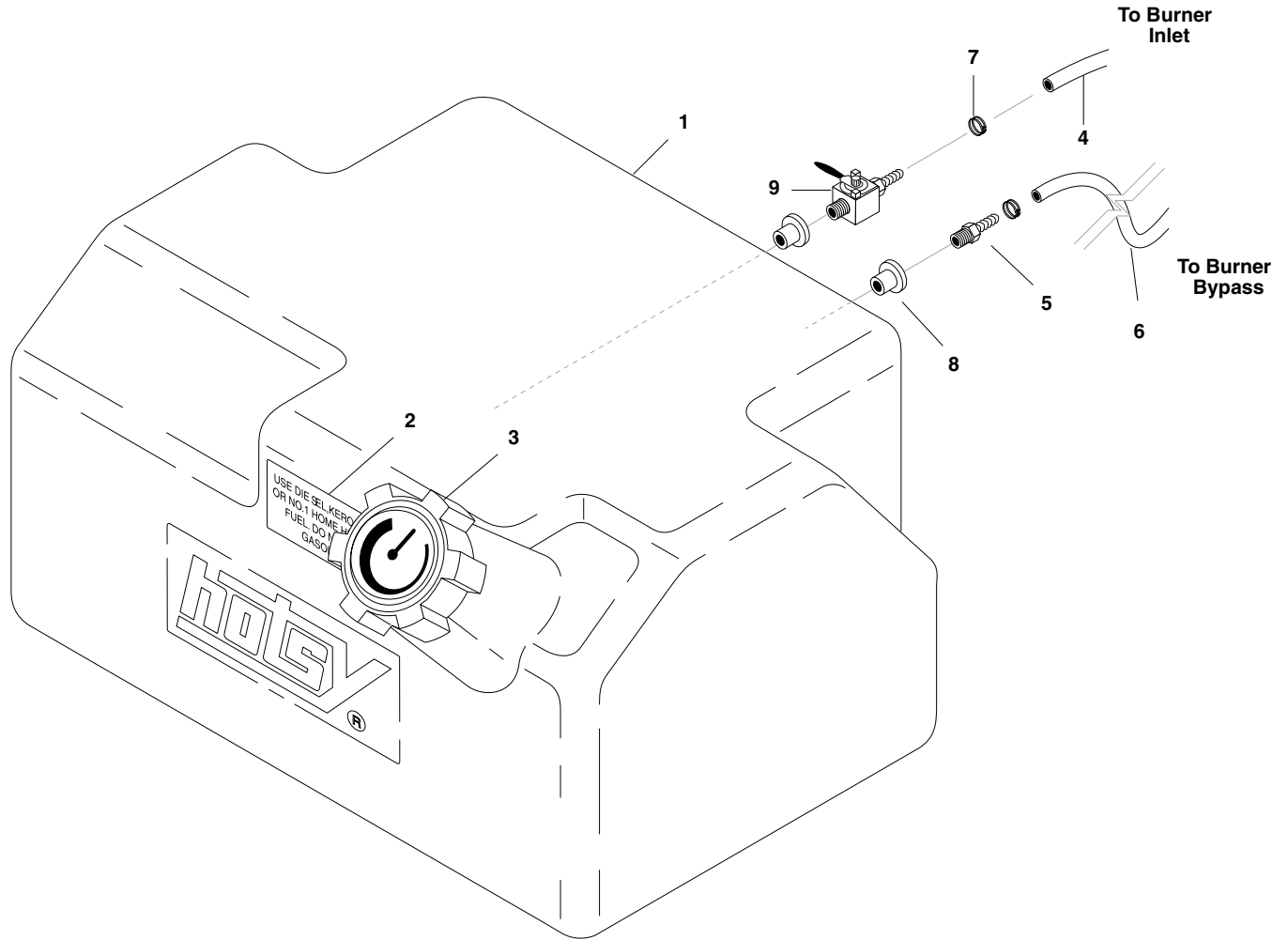
COIL OUTLET ASSEMBLY EXPLODED VIEW



COIL OUTLET ASSEMBLY PARTS LIST

ITEM	PART NO.	DESCRIPTION	QTY
1	9.149-003.0	Manifold	1
2	8.706-241.0	Plug, 3/8" SQ Head Galv	1
3	9.196-012.0	Plug, 10-24 UNF 1/4"	1
4	9.802-041.0	Elbow, 3/8", 45°	1
5	9.802-171.0	Nipple, 3/8" x 3/8" NPT ST Male	1
6	8.902-433.0	Valve safety Relief VSP	1
7	8.711-785.0	Hose, 3/8"	27"
8	9.800-021.0	Label, Caution hot water	1

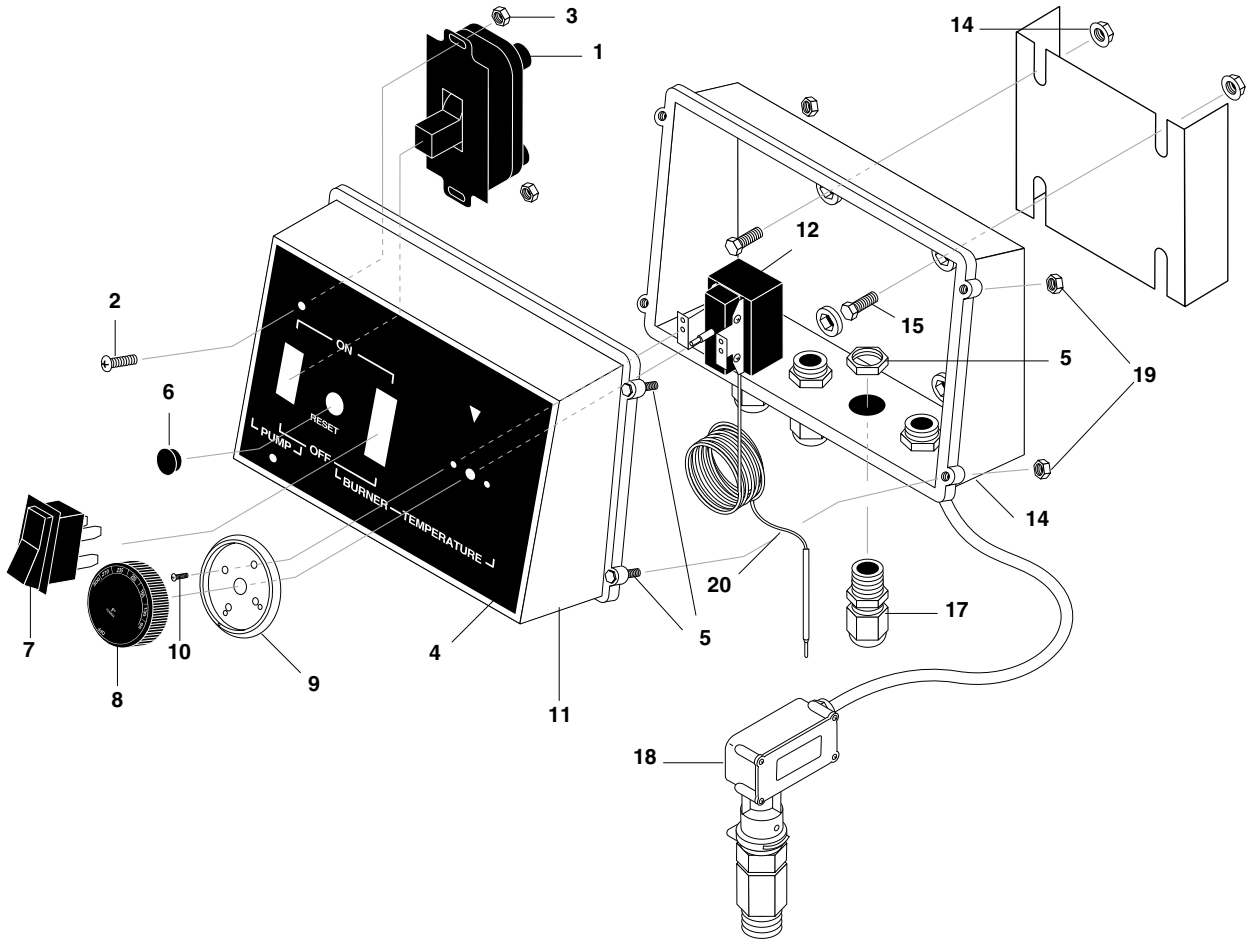
FUEL TANK ASSEMBLY EXPLODED VIEW



FUEL TANK EXPLODED VIEW PARTS LIST

ITEM	PART NO.		DESCRIPTION	QTY
1	952733	8.706-614.0	Fuel Tank	1
2	834153	8.901-134.0	Decal Fuel Type	1
3	817312	9.803-535.0	Fuel Tank Cap	1
4		9.802-254.0	Hose 1/4" x 20" Push-On, Fuel Line	20"
5	309294	9.802-141.0	Nipple 3/8" Hose x 1/4" Hose	1
6	867368	9.802-254.0	Black Hose 1/4" x 18" Push-On	18"
7	823988	6.390-126.0	Hose Clamp, UNI .46 - .54	4
8	971511	9.802-053.0	Bushing Nitrile	2
9		9.802-177.0	Fuel Shut-Off Valve	1

CONTROL PANEL ASSEMBLY EXPLODED VIEW



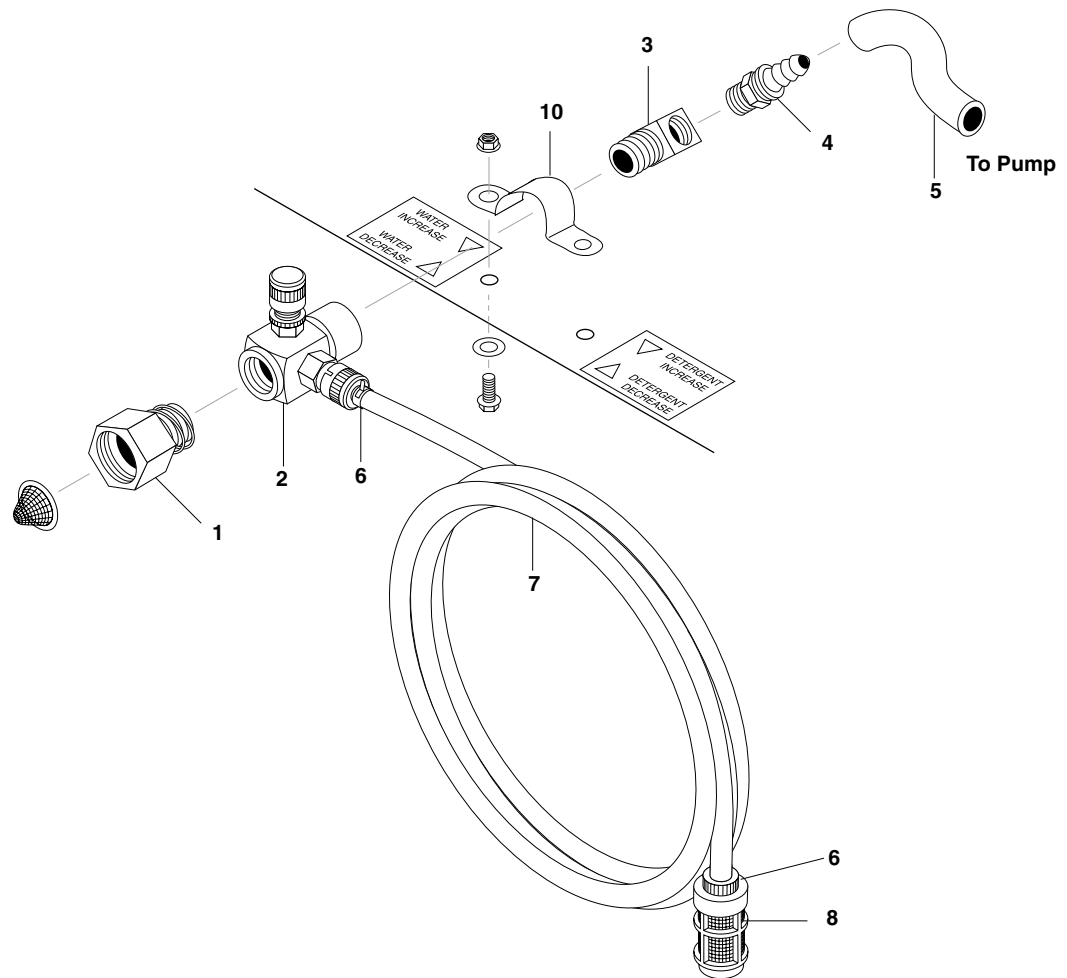
CONTROL PANEL EXPLODED VIEW PARTS LIST

ITEM	PART NO.	DESCRIPTION	QTY
1	950186	8.716-053.0 Switch Toggle, 40A/230C	1
2	875477	8.718-569.0 Screw #10 - 32 x 1/2"	2
3	703126	9.804-567.0 Hex Nut #10 - 32	2
4	645931	8.901-142.0 Control Box Decal	1
5		9.803-249.0 Screw M4 x 10	4
6	829960	8.706-741.0 Plug, Plastic 7/16", Heyco #2633	1
7	950227	8.716-055.0 Burner Switch	1
8		8.750-097.0 Thermostat Dial	1
9	915390	8.712-190.0 Thermostat Mounting Plate	1
10	735321	8.718-779.0 Screw 4 mm x 6 mm	2
11	615411	8.716-282.0 Control Box Front	1
12		8.750-095.0 Thermostat	1
13	630649	9.802-480.0 Control Box Back	1
14	703106	9.802-775.0 Flange Nut 1/4" - 20	4
15	615952	9.802-700.0 Bolt 1/4" - 20 x 3/4"	4

CONTROL PANEL EXPLODED VIEW PARTS LIST

ITEM	PART NO.	DESCRIPTION	QTY
17	9.802-514.0	Strain Relief	4
18	875651 8.716-125.0	Pressure Switch	1
19	875651 9.803-250.0	Nut, Electrical Box	4
20	9.804-072.0	Conduit Wire Cover	17"
REPLACEMENT PARTS			
	753134 8.717-667.0	O-Ring Kit	1
	875653 8.717-256.0	Switch	1

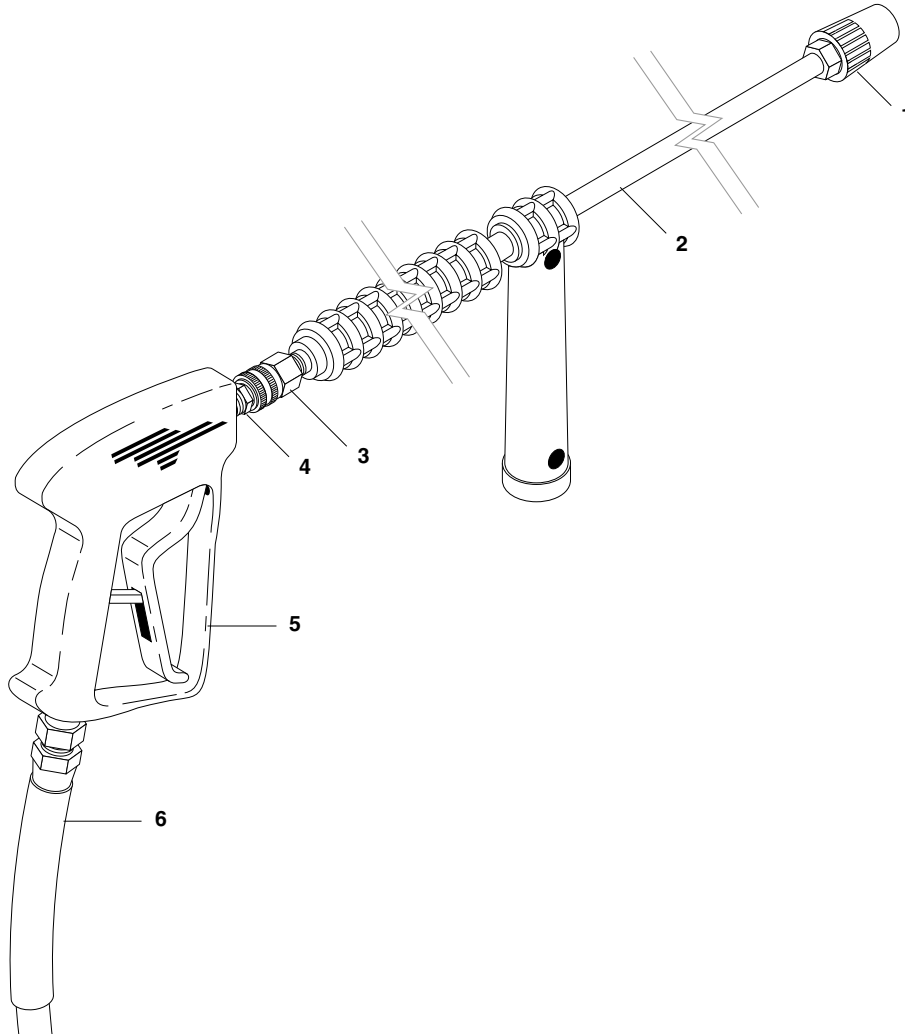
WATER INLET ASSEMBLY EXPLODED VIEW



WATER INLET EXPLODED VIEW PARTS LIST

ITEM	PART NO.	DESCRIPTION	QTY
1	801126	9.802-147.0 Garden Hose Connector	1
2	873596	9.803-275.0 Detergent Injector	1
3	844753	8.706-828.0 Street Elbow 3/8"	1
4	898035	8.706-944.0 Nipple 3/8" x 3/8" Hose	1
5	867395	8.711-785.0 Hose 3/8"	3"
6	823989	6.390-126.0 Hose Clamp	1
7	961534	9.802-252.0 Tubing 1/4"	48"
8	935159	8.707-056.0 Filter Screen	1

HOSE, GUN & WAND ASSEMBLY



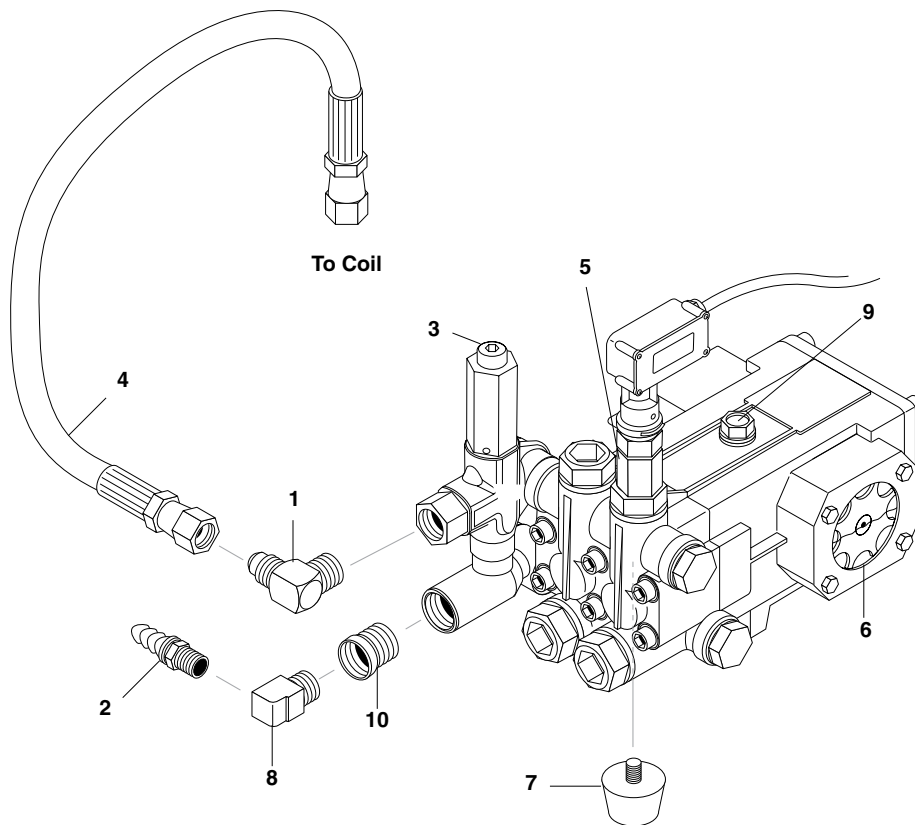
HOSE, GUN & WAND PARTS LIST

ITEM	PART NO.	DESCRIPTION	QTY
1	799101	8.712-401.0 Adjustable Pressure Nozzle	1
2	878917	8.725-389.0 ☛ Wand, Single, 36", Insulated	1
3	826169	9.802-164.0 Quick Disconnect	1
4	915786	8.707-139.0 Quick Disconnect Plug	1
5	8.749-171.0	Gun, Shut-off, Hotsy 5000 PSI, 10.5 GPM	1
6	8.916-740.0	Hose, 3/8" x 50', 1 Wire, TUFF-Skin	1

REPLACEMENT PARTS

☛	859762	8.717-661.0 Insulator Grip Assembly	1
☛	859763	8.706-670.0 Side Handle Grip	1
		8.749-354.0 Kit, Gun Repair, Branded	1

PUMP ASSEMBLY EXPLODED VIEW



PUMP EXPLODED VIEW PARTS LIST

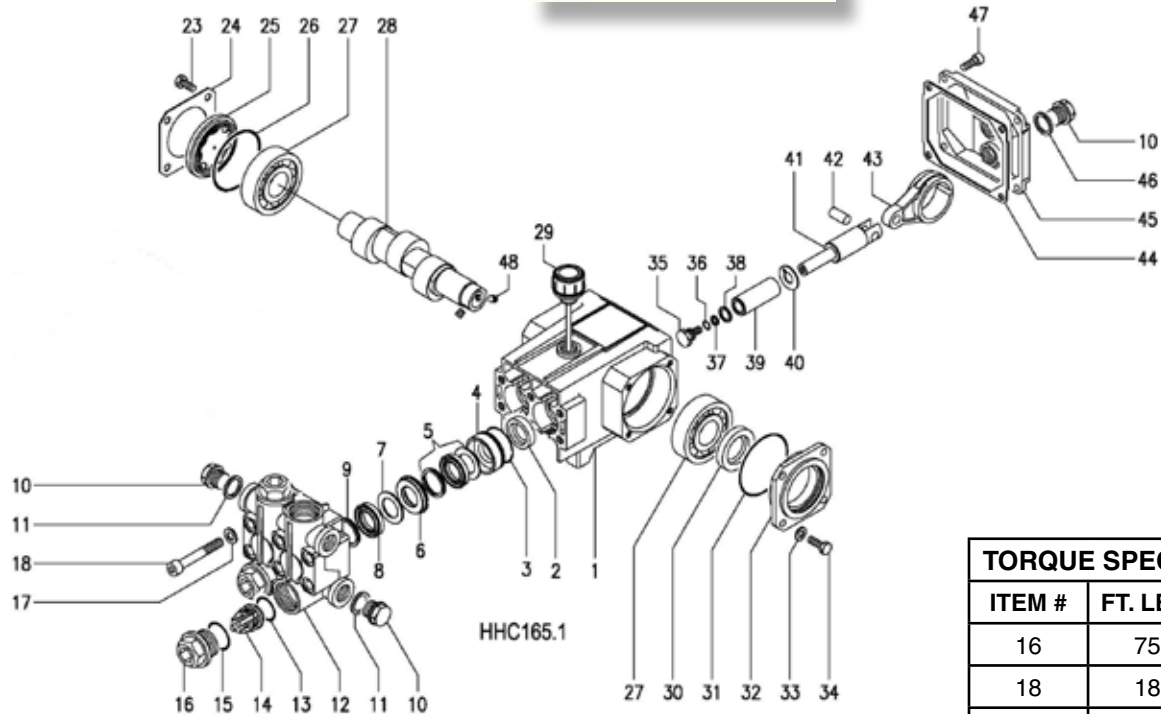
ITEM	PART NO.	DESCRIPTION	QTY
1	9.802-039.0	"ELBOW 1/2"" JIC X 3/8"" MPT"	1
2	898035	8.706-944.0 Nipple 3/8" x 3/8" Hose	1
3	9.175-018.0	⊕ UU1 3500PSI, UNIVERSAL UNLOADER	1
4	9.802-241.0	Hose, 3/8" x 25"	1
5	829596	8.707-264.0 Manifold Plug	1
6	8.904-909.0	Pump, HC165AL	1
7	783654	8.706-513.0 Vibration Mount	1
8	844753	8.706-828.0 Street Elbow 3/8"	1
9	9.803-957.0	Oil Dipstick	1
10	8.706-294.0	Bushing 1/2" X 3/8", STEEL P/N-5406-	1

REPLACEMENT PARTS

⊕	753026	8.717-673.0 Discharge Repair Kit	1
⊕	753025	8.717-672.0 O-Ring Repair Kit	1
⊕	753027	8.717-674.0 Stem Repair Kit	1

DUPLEX SERIES PUMP

8.904-909.0 HHC165L.1
 8.904-915.0 HHC165R.1
 8.905-186.0 HHC168R



TORQUE SPECS	
ITEM #	FT. LBS.
16	75
18	18
23	7.6
34	7.6
35	4.5
47	7.6

DUPLEX SERIES PUMP

ITEM	PART NO.	DESCRIPTION	QTY	ITEM	PART NO.	DESCRIPTION	QTY
1	8.717-123.0	Crankcase	1	18	9.803-952.0	Manifold Stud Bolt	6
2*	See Kit Below	Plunger Seal	2	23	8.717-540.0	Screw, Hex 6mm	4
3*	See Kit Below	O-Ring, Pressure Ring	2	24	9.803-953.0	Cover, Side Bearing	1
4*	See Kit Below	Pressure Ring 20mm	2	25	8.717-259.0	Sightglass	1
5*	See Kit Below	U-Seal, 20mm	4	26	9.804-581.0	O-Ring	1
6*	See Kit Below	Intermediate Ring	2	27	9.803-955.0	Bearing	2
7*	See Kit Below	Back Ring	2	28	8.717-060.0	Crankshaft, HHC165	1
8*	See Kit Below	U-Seal, 20mm	2	29	9.803-957.0	Oil Dipstick	1
9*	See Kit Below	Support Ring, 20mm	4	30	8.717.020-0	Seal, Crankshaft	1
10	9.802-925.0	Plug, 3/8"	3	31	8.717-225.0	O-Ring, Bearing Housing	2
11	9.803-198.0	Copper Washer	2	32	8.717-196.0	Bearing Housing	1
12	8.717-507.0	Manifold	1	33	8.718-974.0	Washer	4
13*	See Kit Below	O-Ring Valve Seat	4	34	8.717-539.0	Screw, Hex	4
14*	See Kit Below	Valve Assembly	4	35	See Kit Below	Bolt, Plunger Assy	2
15*	See Kit Below	O-Ring Manifold Plug	4	36	See Kit Below	O-Ring, Plunger Bolt	2
16	9.802-924.0	Plug Manifold	4	37*	See Kit Below	Teflon Ring	2
17	9.802-884.0	Washer	6	38*	See Kit Below	Spacer, Copper	2

DUPLEX SERIES PUMP

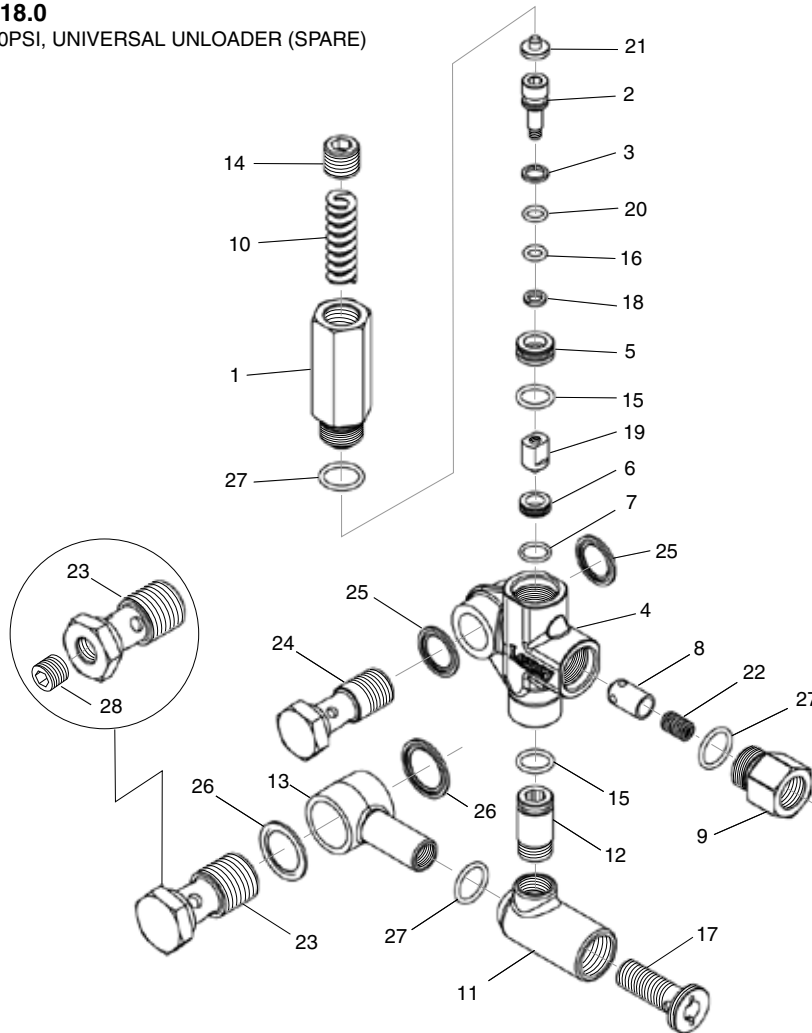
ITEM	PART NO.	DESCRIPTION	QTY
39	See Kit Below	Ceramic Piston, 20mm	2
40	See Kit Below	Spacer, Copper	2
41	8.717-042.0	Plunger Rod	2
42	9.802-917.0	Connecting Rod Pin	2
43	8.717-111.0	Connecting Rod Assy	2
44	8.717-215.0	Gasket, Crankshaft Cover	1
45	8.717-136.0	Cover, Crankcase	1
46	8.707-267.0	Gasket	1
47	9.802-939.0	Screw, Allen Crankcase	4
48	9.802-945.0	Screw, Set 6mm	2

* Available in kit (See below)

KIT NUMBERS	8.725-406.0	8.717-623.0	8.725-408.0	8.717-671.0	8.717-584.0	8.717-587.0	8.717-670.0
KIT DESCRIPTION	Seal Packing 20mm, 2 Cyl HHC165	Plunger Seals HHC168	Complete Seal Packing HHC165	Complete Seal Packing HHC168	Complete Valve Assy.	Plunger Seal 2 Cyl	Ceramic Piston
ITEMS NUMBERS INCLUDED	3, 5, 7, 8, 9	3, 5, 7, 8, 9	3, 4, 5, 6, 7, 8, 9	3, 4, 5, 6, 7, 8, 9	13, 14, 15	2	35, 36, 37, 38, 39, 40
NO. OF CYLINDERS KIT WILL SERVICE	2	2	1	1	1	2	1

UU1 UNLOADER EXPLODED VIEW

9.175-018.0
UU1 3500PSI, UNIVERSAL UNLOADER (SPARE)



UU1 UNLOADER EXPLODED VIEW PARTS LIST

ITEM	PART #	DESCRIPTION	KIT	QTY	ITEM	PART #	DESCRIPTION	KIT	QTY
1	8.749-792.0	Piston housing		1	17	9.149-006.0	Sliding connector guide		1
2		Piston	C	1	18		O-ring backup 6X 1.45X 1.68	A	1
3		Piston O-ring back up	A	1	19		Conical seal	C	1
4	8.749-796.0	Main block		1	20		O-ring 6.75 X 1.78 BN80	A	1
5	9.152-372.0	Piston ring		1	21		Spring seat	C	1
6		Ball seat	C	1	22		Plunger spring	B	1
7		O-ring 10.5 ID X 1.5 CS	A,C	1	23	8.917-699.0	Banjo bolt 1/2" short		1
8		Plunger	B	1		8.917-700.0	Banjo bolt 1/2"-1/4"NPT short		1
9	9.152-016.0	Plunger housing		1		8.917-698.0	Banjo bolt 3/8" short		1
10		Bypass spring	C	1	24	8.917-698.0	Banjo bolt 3/8" short		1
11	9.149-001.0	Low pressure port		1	25	9.802-893.0	Seal washer 3/8"		2
12	9.152-017.0	Sliding connector, 30mm		1	26	9.803-921.0	Seal washer 1/2"		2
	8.762-005.0	Sliding connector, 40mm, long		1		9.802-893.0	Seal washer 3/8"		2
13	9.149-002.0	Sliding connector H 1/2"		1	27		O-RING 15 ID x 2CS	A,B	3
	9.149-005.0	Sliding connector H 3/8"		1	28	8.706-865.0	Plug, 1/4" countersunk		1
14	9.196-011.0	Plug 5/8 -18 UNF		1	Kit A	9.104-038.0	O-ring Repair Kit		
15		O-ring 12 ID x 2 CS	A	2	Kit B	9.104-039.0	Outlet Kit		
16		O-ring 6 ID X 2 CS	A	1	Kit C	9.104-040.0	Stem Repair Kit		

WIRING DIAGRAM

