

2



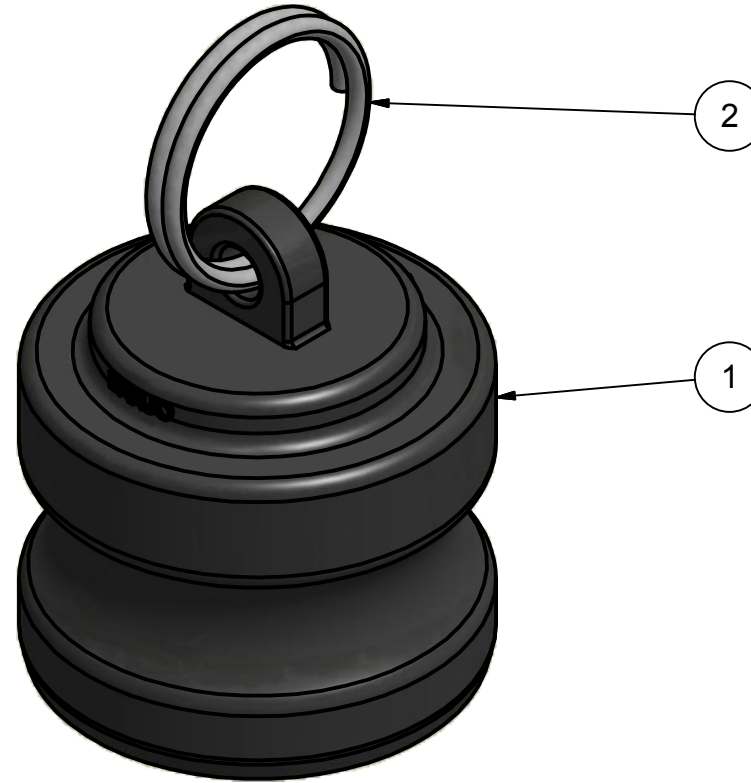
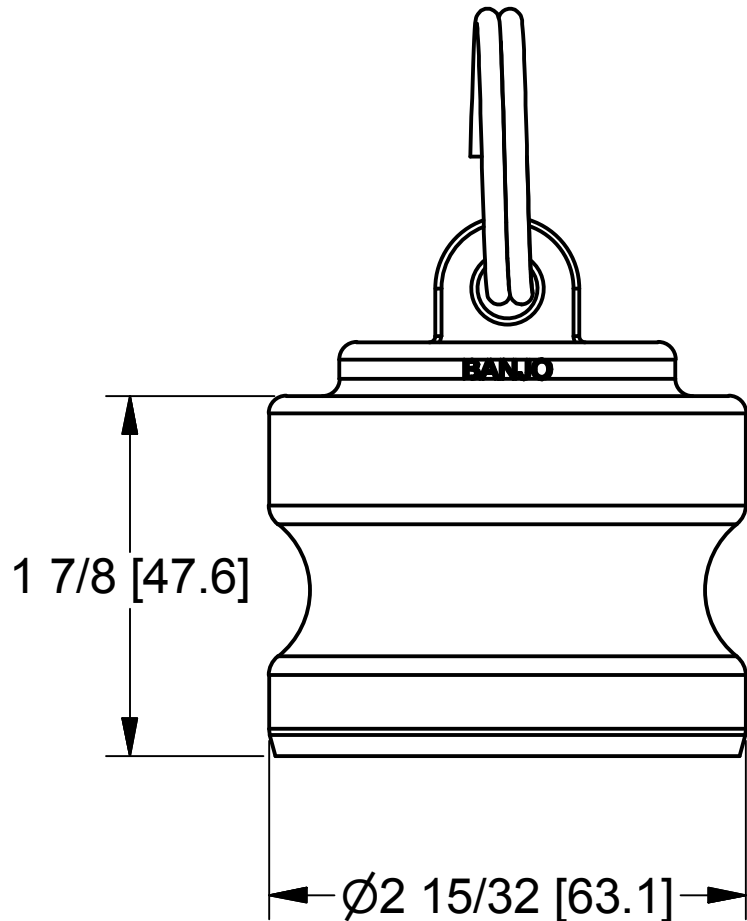
1

Parts List

ITEM	QTY	PART NUMBER	DESCRIPTION
1	1	200XPL	2" Plug, Molded
2	1	150RING	LARGE CAM ARM RING

B

B



A

A

THIS DRAWING AND ALL INFORMATION CONTAINED THEREON ARE THE EXCLUSIVE PROPERTY OF BANJO CORPORATION.

UNLESS SPECIFICALLY NOTED, THIS DRAWING AND ITEMS SHOWN ON THIS DRAWING ARE SUBJECT TO CHANGE AT ANY TIME.



BANJO CORPORATION
 150 BANJO DRIVE, CRAWFORDSVILLE, IN 47933
 WEB SITE: WWW.BANJOCORP.COM
 E-MAIL: BANJOSALES@IDEXCORP.COM

DESCRIPTION	2" Plug
PART NUMBER	200PL

2



1