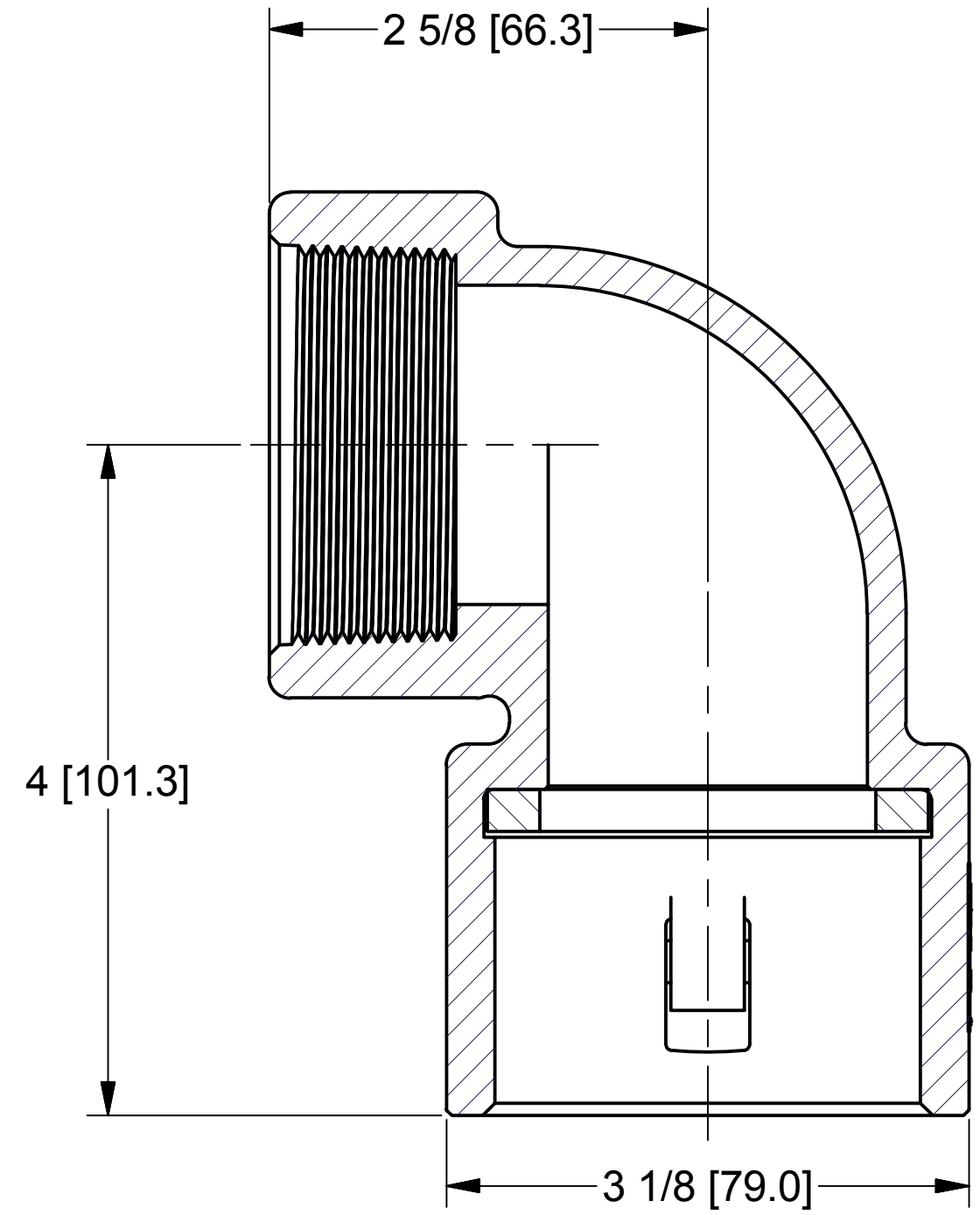
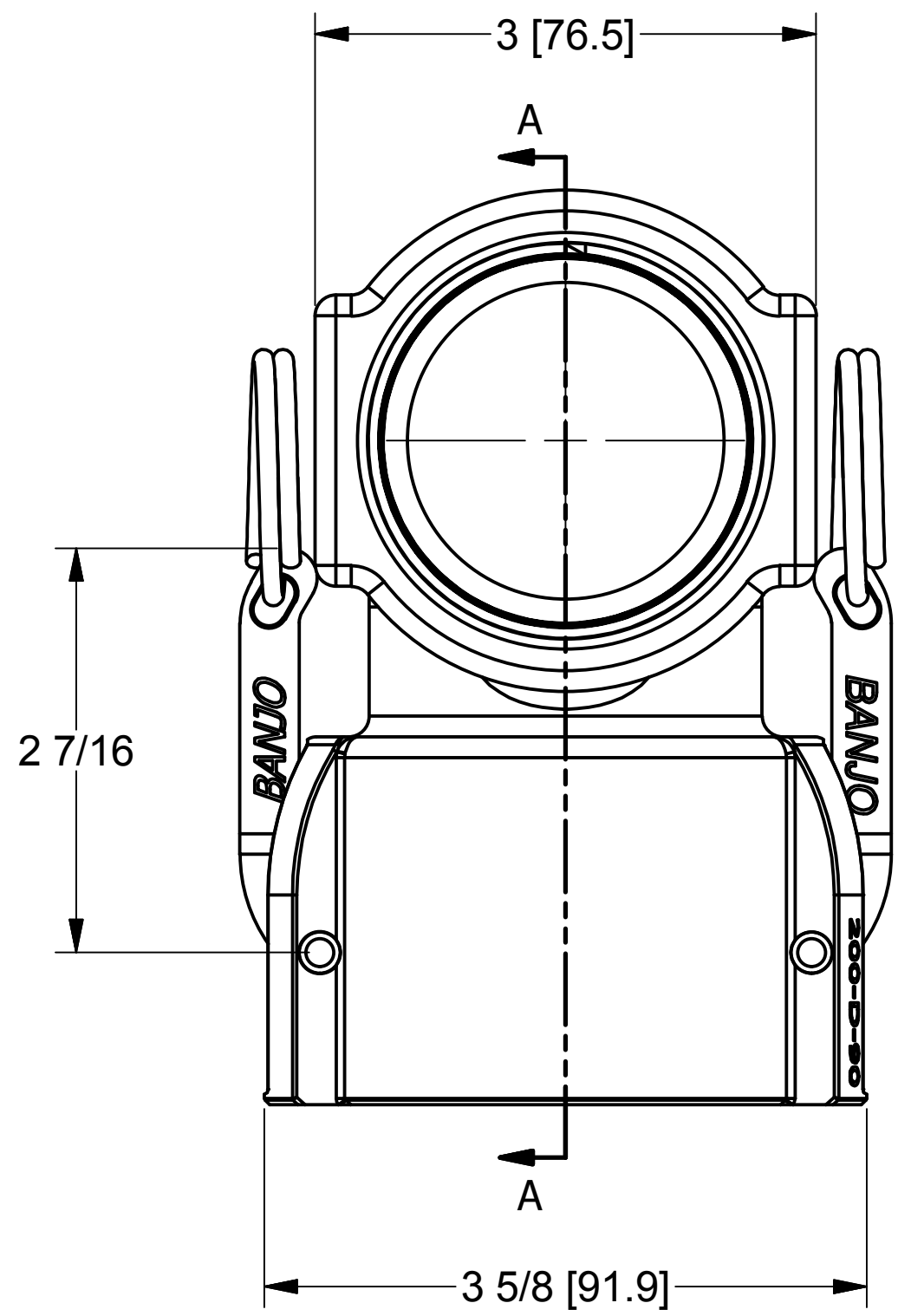
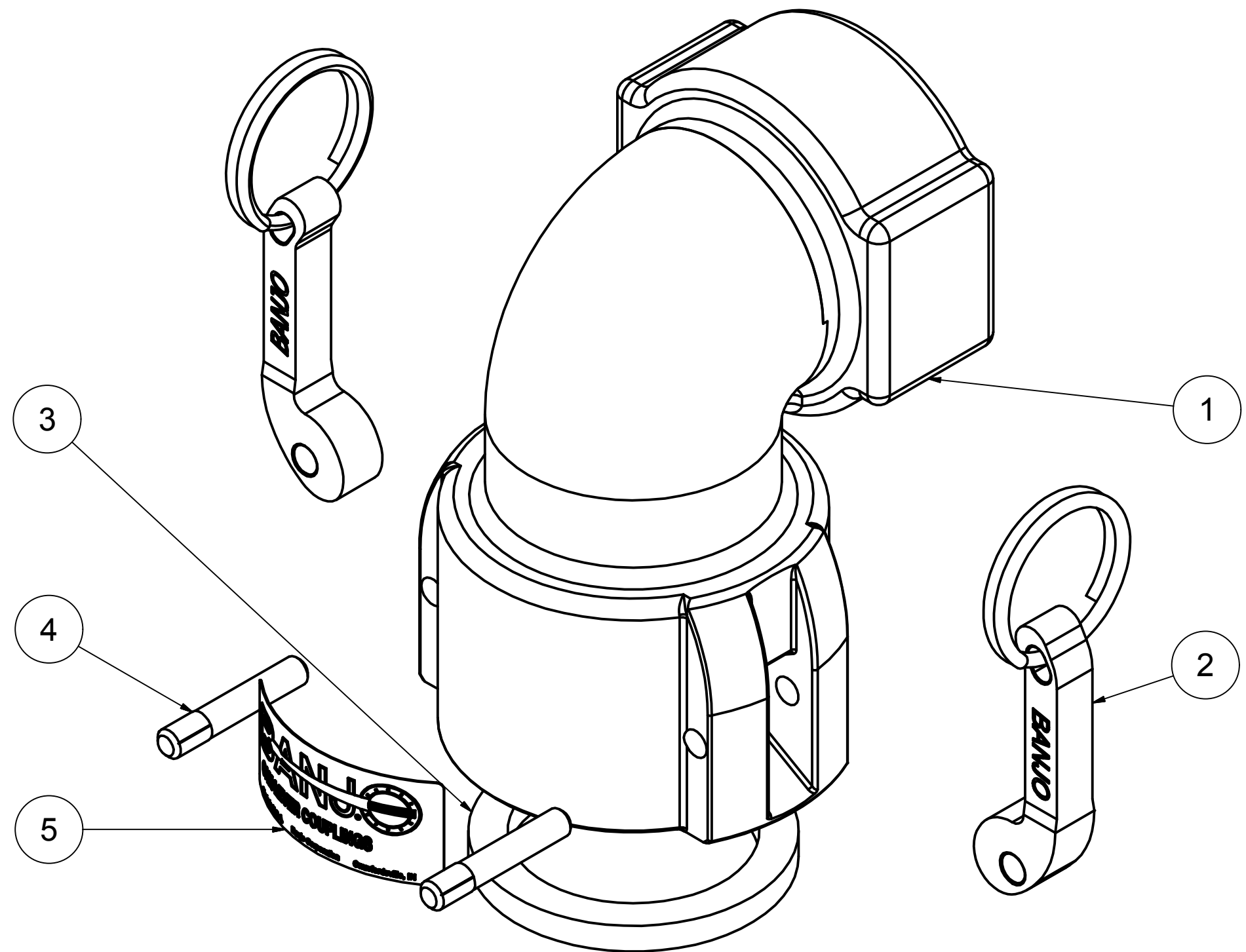



Parts List			
ITEM	QTY	PART NUMBER	DESCRIPTION
1	1	200XD-90	2" FML COUPLER X 90° FNPT
2	2	150(200)K	1 1/2" & 2" CAM ARM
3	1	200G	2" Coupling Gasket
4	2	200P	CAM ARM PIN
5	1	150(200)D	CAM LEVER COUPLING DECAL



SECTION A-A
SCALE 1 : 1

THIS DRAWING AND ALL INFORMATION CONTAINED THEREON ARE THE EXCLUSIVE PROPERTY OF BANJO CORPORATION.

UNLESS SPECIFICALLY NOTED, THIS DRAWING AND ITEMS SHOWN ON THIS DRAWING ARE SUBJECT TO CHANGE AT ANY TIME.

	
BANJO CORPORATION 150 BANJO DRIVE, CRAWFORDSVILLE, IN 47933 WEB SITE: WWW.BANJOCORP.COM E-MAIL: BANJOSALES@IDEXCORP.COM	
DESCRIPTION 2" FEMALE COUPLER X 2" FEMALE NPT	
PART NUMBER 200D90	